



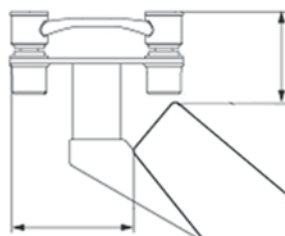
Patented IsoAcoustics® isolation technology effectively eliminates energy transfer from speakers to surrounding surfaces, allowing speakers to “float.” in free space for authentic, uncolored sound. Aperta equipped speaker mounts are available for HALO in three sizes. Select the size and weight configuration that best matches your speaker - *note that maximum weight for each HALO rail mount system should not exceed 70lb.

*Maximum capacity for each HALO rail mount system is 70lb.



SPMH-AP160-B (shown)
 SPMH-AP200-B
 SPMH-AP300-B

Includes 60" [152cm] restraints



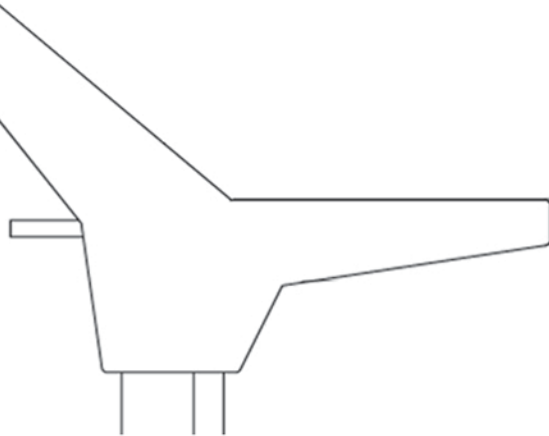
Add 3.6" [91mm]
 for Aperta 160 & 300

Add 4.2" [106mm]
 for Aperta 200

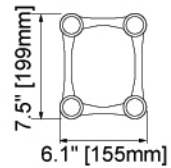
5.7" [144mm]
 added depth for
 Aperta 160

6.7" [170mm]
 for Aperta 200

7.85" [199mm]
 for Aperta 300



Aperta 160



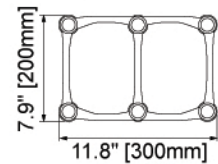
40 lb. maximum weight

Aperta 200



* 75 lb. maximum weight

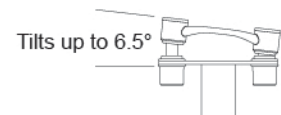
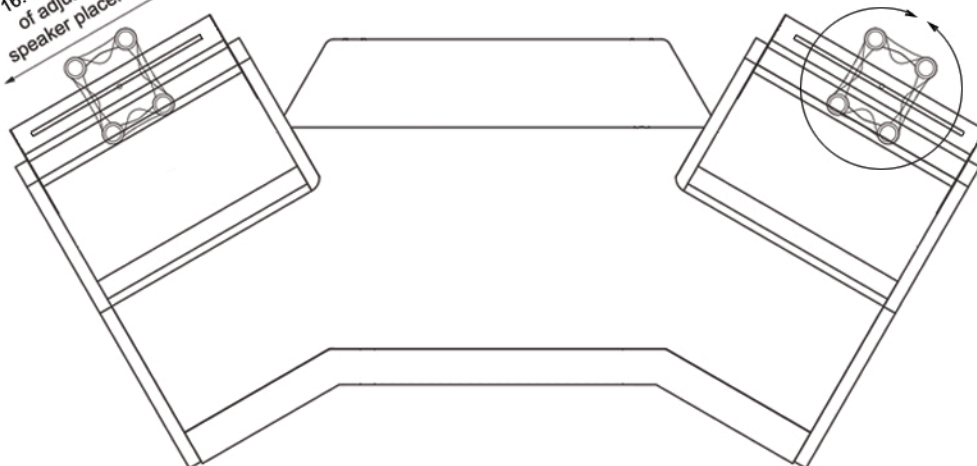
Aperta 300



60 lb. maximum weight

16.4" [416mm]
 of adjustable
 speaker placement

360° of adjustable rotation



Up to 6.5° tilt with 360° rotation allows precise focus to equilateral triangle listening position