

## AURA.260 WORKSTATION

●●●●● ARGOSY

Imagine -  
then transform.

### ESCAPE THE COMPLEXITY

with an AURA.260 - the ideal workstation environment. Already acclaimed as the most exciting workstation available - it's also extremely resilient. Nearly every component has a durable powder coat finish.

Your dream studio  
just got closer.

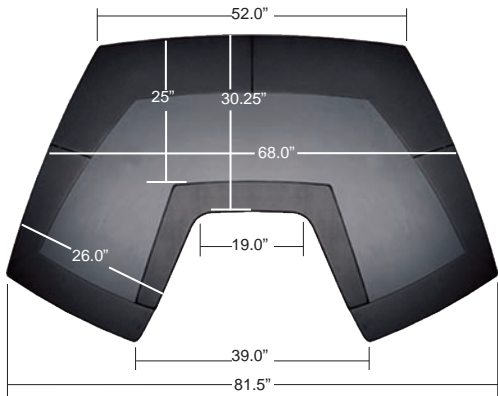


ph: 573.557.3150 toll free: 800.315.0878

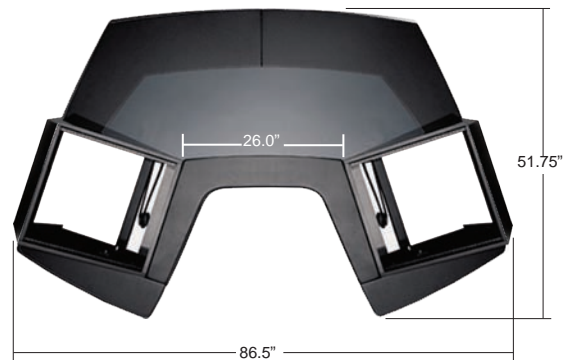
# AURA.260 Workstation



AURA.260 is shipped disassembled and is available in four different models. The 260-N features a full desk surface with "lower" racks on the left and right. The 260-LR has "upper" and "lower" racks on the left and right side. AURA.260 is also available in combinations of one "upper" side rack and one "lower" side rack unit. The 260-L (not shown) features an "upper" rack on the LEFT side. The 260-R (not shown) features an "upper" rack on the RIGHT side.



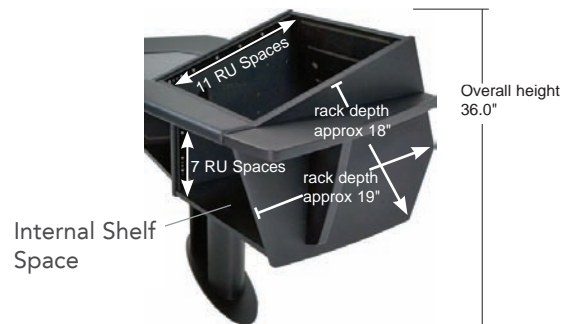
AURA.260-N



AURA.260-LR



AURA.260 Lower Rack



AURA.260 Upper Rack

## AURA.260 WORKSTATION

**ENERGIZE YOUR CREATIVITY** and workflow with a 'command center' look and feel. Keep essential rack mount gear close with rackspace above and below - available on the left, right, or both sides.



### AURA.260-N

Depth: 51.75"

Width: 81.5"

Height: 29.0"

### NEED A CUSTOMIZED SOLUTION?

Give us a call to discuss what you have in mind, we're happy to help.

### ACCESSORIES



21" Shelf  
Modification



Dual  
Monitor Arm



Speaker  
Platforms



Blank Panels



Rack Rail  
Screws

### WARRANTY

ARGOSY WARRANTS ALL MATERIALS AND WORKMANSHIP TO BE FREE OF DEFECTS FOR A PERIOD OF ONE YEAR.

For more information about our products and services or to see a list of dealers, please visit us at [www.argosyconsole.com](http://www.argosyconsole.com) or call the numbers below.

©2008 ARGOSY CONSOLE, INC. All rights reserved. Argosy is a registered trademark of Argosy Console, Inc. Other trademarked names are the property of their respective owners.

ph: 573.557.3150 toll free: 800.315.0878